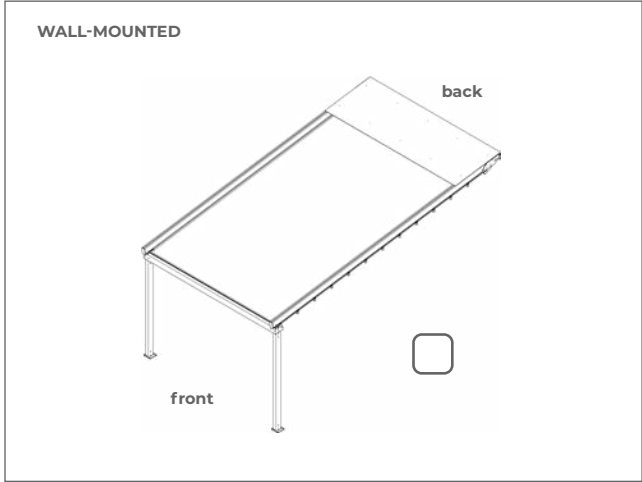
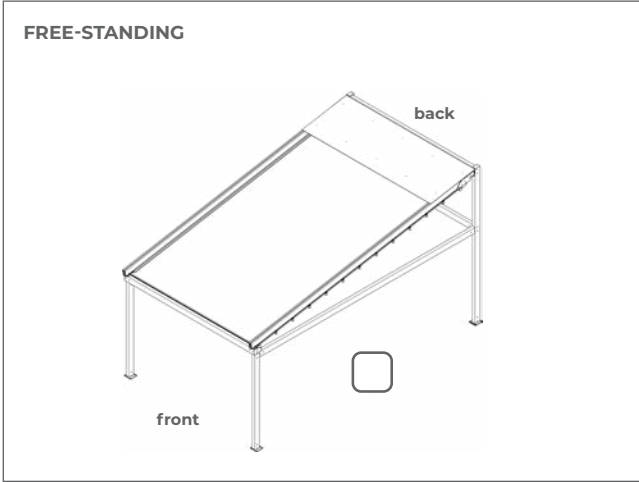


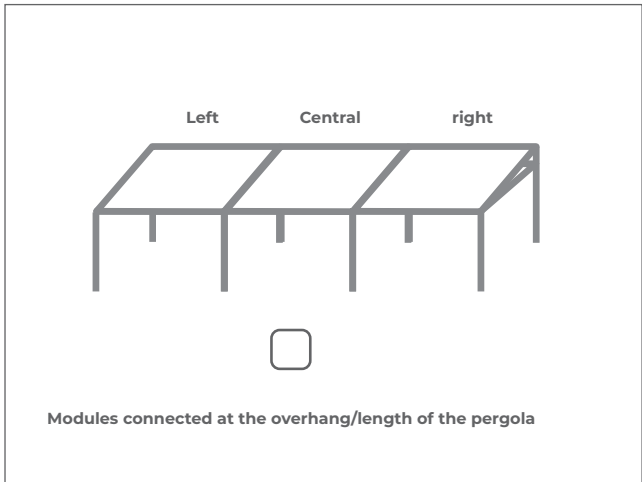
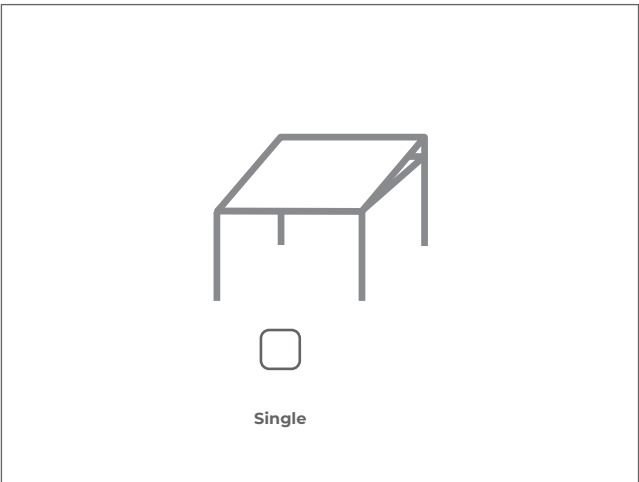
Order form Pergola SOLID

Subject order no:

1. Variant of pergola



2. Is the product in modular version?



3. Colours

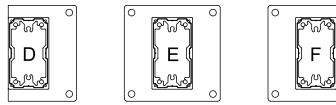
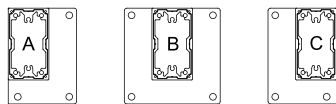
Construction	Movable roof beams
<input type="checkbox"/> Ral 9016 mat	<input type="checkbox"/>
<input type="checkbox"/> FSM 71319 structure	<input type="checkbox"/>
<input type="checkbox"/> RAL 7016 mat	
Other RAL colour of *construction	
<input type="text"/>	
* at extra charge	

4. Sheathing

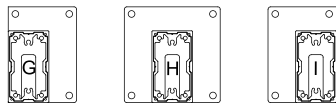
Serge Ferrari Precontraint Opaque			
602N 8503 BLANC	602N 50020 BEIGE	702N 1285 ALUGREY	702N 1284 ALU WHITE
<input type="checkbox"/>	<input type="checkbox"/>	<input type="checkbox"/>	<input type="checkbox"/>
Colour of the cover gasket			
White	Grey	Black	
<input type="checkbox"/>	<input type="checkbox"/>	<input type="checkbox"/>	

5. Feet:

Feet without drainage



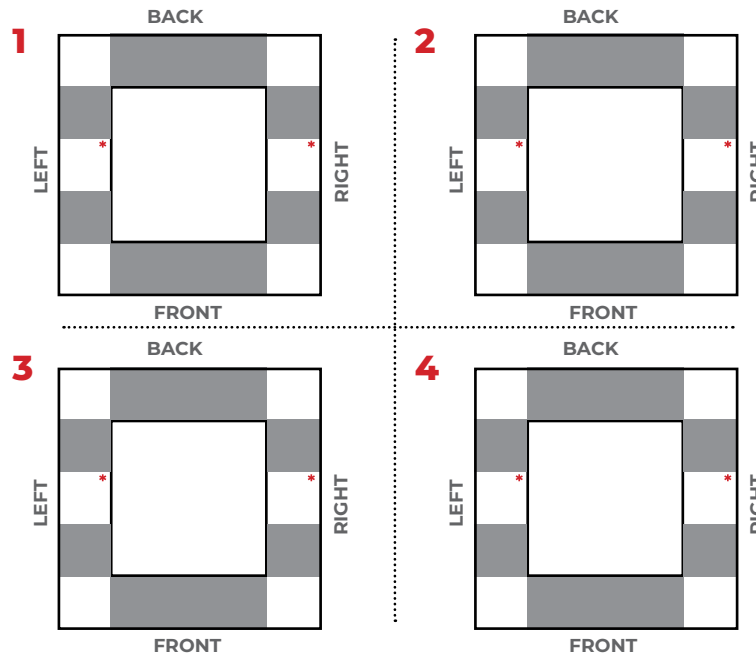
Feet without drainage



WATER DIRECTION

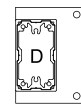
6. Enter the type of foot in the appropriate white boxes for every ordered module (max.4 on the one form)

*FRONT DRAINAGE ONLY



*additional poles at extra charge, without drainage

Additional poles orientation




*** Distance between poles Intermediate poles left and right clearance to rear pole



In the wall-mounted version without e.g. rear poles the distance easured from the intermediate pole to the end of the pergola

7. Dimensions

No.	Width max 4000 mm	Overhang/length max 7000 mm	Clear hight max 2.5m for the front leg	Total height at the rear max. 4m	Tilt angle min. 5° max: 10°	Module: 1.Single 2.Left/central/Right	Intermediate pole Left/Right	Intermediate pole SYMMETRICALLY  or specify the distance of the intermediate column ***	Additional horizontal beam Left/Right
1									
2									
3									
4									

8. Controlling

Geiger motor

Somfy slim RTS Somfy slim IO

Remote control 5k RTS Remote control 5k IO

9. LED lighting

On every moving beam

On every second moving beam

10. Led control

Mi light+remote control (included in price)

Somfy white Led Receiver IO

Somfy Lighting Slim Receiver RTS

Additional automation, remote controls/sensors, etc.

Delivery address

Notes:

The Buyer declares that he is fluent in English, understands the statements made and received in English. He understands his order and has read and accepts the General Terms and Conditions of Sale, the General Terms and Conditions of Guarantee and the Technical and Operational Documentation and the Declaration of Performance. For outdoor systems, the Declaration of Conformity and for motorised systems and the information for the installation of the safety components for indoor chain and cord systems, available at www.selt.com

Signature

Orderer

Date